



# AXIS STAGE ASSEMBLY



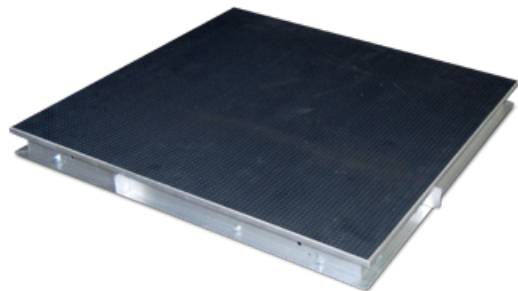
## CONTENTS

PARTS LIST .....	2
STAGE CALCULATION CHART .....	3
SITE PREP .....	4
LEG / DECK HEIGHT .....	4
LEG ASSEMBLY .....	5
STAGE SETUP .....	6
GUARDRAIL PANEL .....	8
STAIR ASSEMBLY .....	10



**Customer Service**  
**877-447-2648**  
**M-F, 8am - 5pm EST**

Scan this code to watch a video of our AXIS Stage assembly & setup.



**83011**  
 4' x 4' AXIS Stage



**83013**  
 4' x 4' AXIS Stage (legs not included)



**83071**  
 AXIS 4' Stage Guardrail



Leg Stock



**85410**  
 Adjustable Stage Foot - Short Stem

## Staging Warranty

Staging components excluding any finishes and wood decking are warranted for three (3) years from date of original purchase.

We will repair, without charge, any defect due to faulty material or workmanship. These warranties do not cover failures due to abuse, misuse, improper installation, accidental damage or when repairs or modifications have been made or attempted to be made by anyone other than Granite Industries. Any defective products that meet warranty specifications and Granite Industries approval, may be returned to the factory to be repaired or replaced free of charge. (Granite Industries will pay to ship replacement item(s) to the customer; however the customer is responsible for shipment of products to the factory.)

This remedy is the sole remedy in contract, tort or otherwise, and Granite Industries is not liable for incidental, consequential or special damages.

These warranties give you specific legal rights, and you may have other rights which vary from state to state. Should you have any questions, contact Granite Industries (proof of purchase may be required).

**Orders and quote requests can be emailed to [support@graniteind.com](mailto:support@graniteind.com) or faxed to 419-445-3304.**

Contact us at 877-447-2648 for a return authorization and details.

# STAGE CALCULATION CHART

4' x 4' Decks				
Stage Size	Decks	Feet/Legs	Connector Bolts	Connector Clips
8' x 8'	4	16	4	4
12' x 12'	9	36	12	12
12' x 16'	12	48	15	17
16' x 16'	16	64	18	24
16' x 20'	20	80	21	31
20' x 20'	25	100	24	40
20' x 24'	24	120	27	49
24' x 24'	36	144	30	60
24' x 28'	42	168	33	66
24' x 40'	60	240	42	104
28' x 28'	49	196	36	84
28' x 32'	56	224	39	97
32' x 32'	64	256	42	112
32' x 36'	72	288	45	127
32' x 40'	80	320	79	142
36' x 36'	81	324	48	144
36' x 40'	90	360	51	161
36' x 44'	99	396	54	168
36' x 48'	108	432	52	195
40' x 40'	100	400	54	180

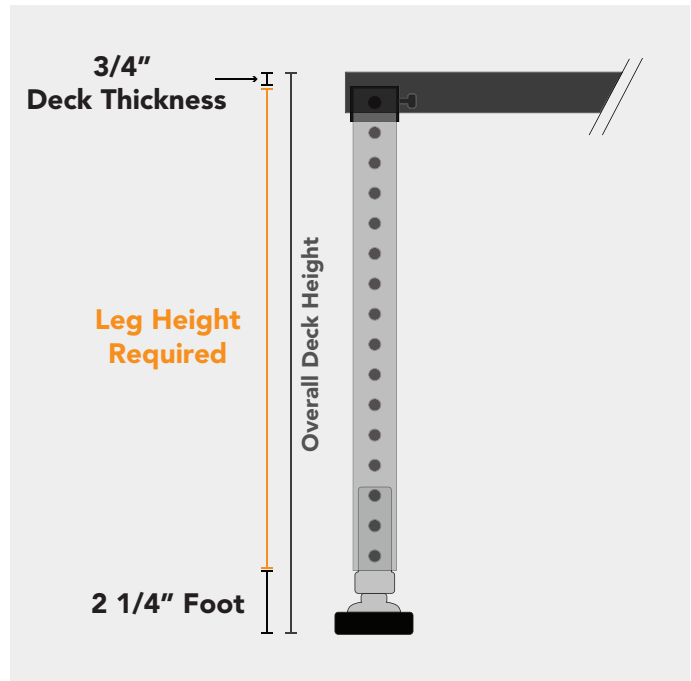
4' x 8' Decks				
Stage Size	Decks	Feet/Legs	Connector Bolts	Connector Clips
8' x 8'	2	12	3	2
12' x 12'	--	--	--	--
12' x 16'	6	36	11	11
16' x 16'	8	48	14	15
16' x 20'	10	60	17	21
20' x 20'	--	--	--	--
20' x 24'	15	90	21	34
24' x 24'	18	108	24	42
24' x 28'	21	126	27	48
24' x 40'	30	180	32	74
28' x 28'	--	--	--	--
28' x 32'	28	168	30	69
32' x 32'	32	192	34	80
32' x 36'	36	216	37	91
32' x 40'	35	210	34	88
36' x 36'	--	--	--	--
36' x 40'	45	216	41	116
36' x 44'	--	--	--	--
36' x 48'	54	324	44	141
40' x 40'	50	300	44	130

To see a diagram of how to properly set up the stage, please refer to pages 6-7.

## SITE PREP

Determine the exact location where the stage will be erected. Take note of any uneven or unlevel terrain. For outdoor stages, mudsills are required to distribute the weight of 125 psf on the stage legs. This will prevent the legs from sinking and ease the leveling of the stage. All base pads and mudsills should only be placed on horizontal surfaces. Granite does not sell or provide mudsills or base pads.

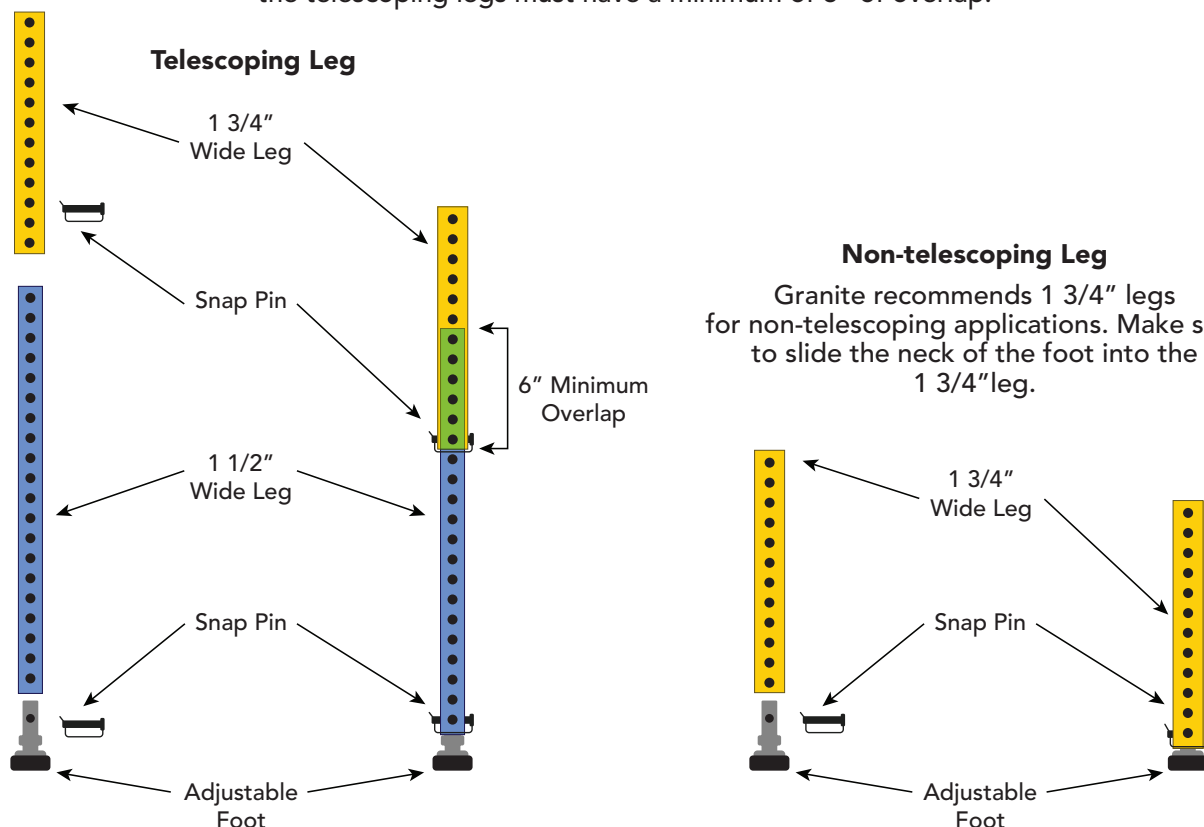
## LEG / DECK HEIGHT



Begin by determining your desired deck height. Then subtract 3" to account for the deck thickness and foot. This will give you the required leg height for your stage.

Legs are adjustable in 1" increments. Feet can be adjusted up to 2".

Assemble legs as shown below. Some stages require telescoping legs to reach their desired height. Note that the telescoping legs must have a minimum of 6" of overlap.



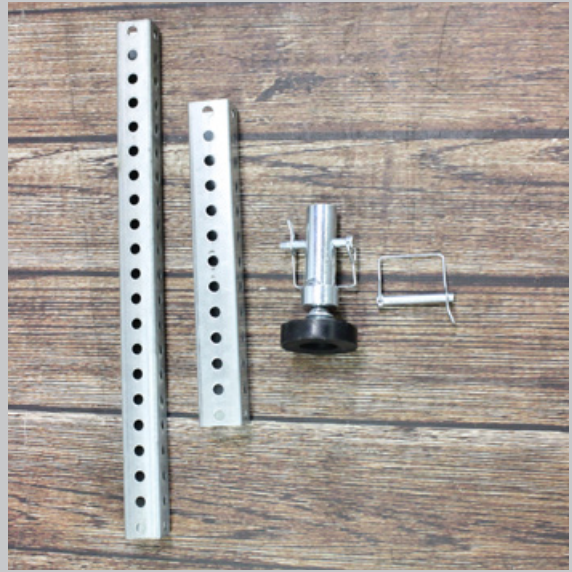
# LEG ASSEMBLY

Axis uses an adjustable leg system, allowing you to customize your deck height.

Inside Leg – 1 1/2" Square  
 Starter Leg – 1 3/4" Square

The adjustable feet can add up to 2 inches of height to fine tune your deck or accommodate uneven terrain.

\*Longer stemmed foot available (85420)

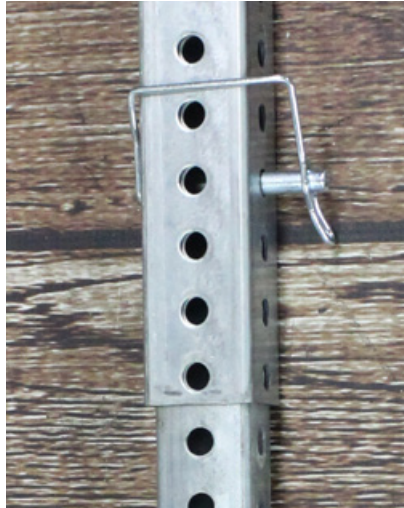


COMPONENTS		
ITEM NO	QTY	DESCRIPTION
--	--	Inside Leg - 1 1/2" Square
--	--	Starter Leg - 1 3/4" Square
85410	--	Adjustable Foot
06003	--	2" Snap Pin



Insert the foot into an inside leg (1 1/2" square leg), and secure it with the provided snap pin.

If the snap pin won't go through, just spin the rubber foot down a couple turns. This will allow the snap pin to pass through without issue.



Slide the inside leg into a starter leg (1 3/4" square) and secure it with a snap pin.

Make sure there is at least 6" of overlap between the legs.



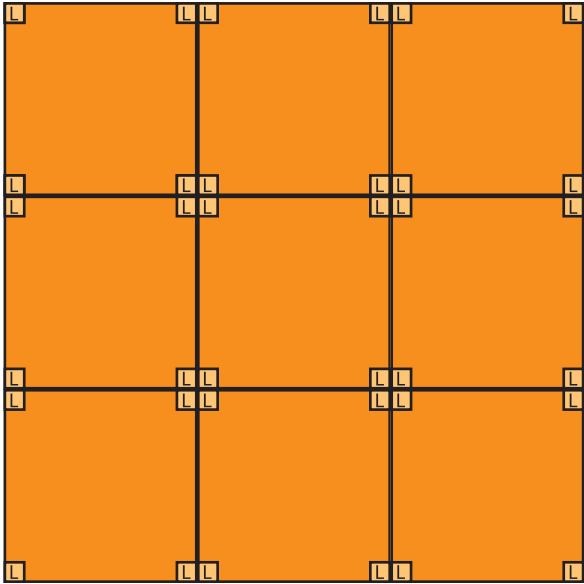
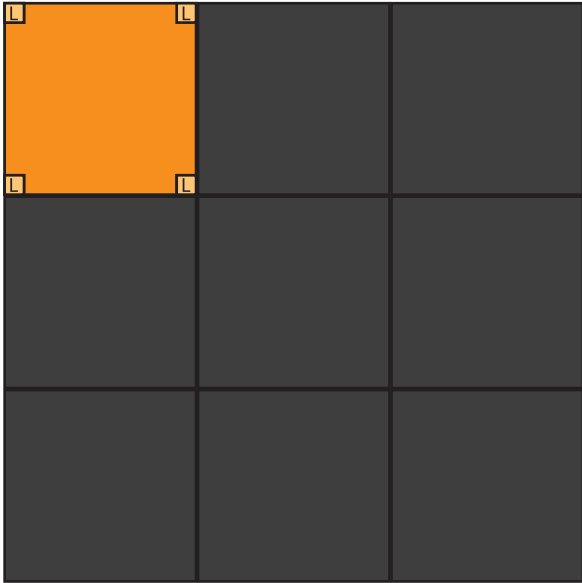
Lastly, slide the leg into the stage deck, and secure it by tightening the knob on the underside of the deck.

Follow the steps on the next pages to determine how many legs each deck will require.

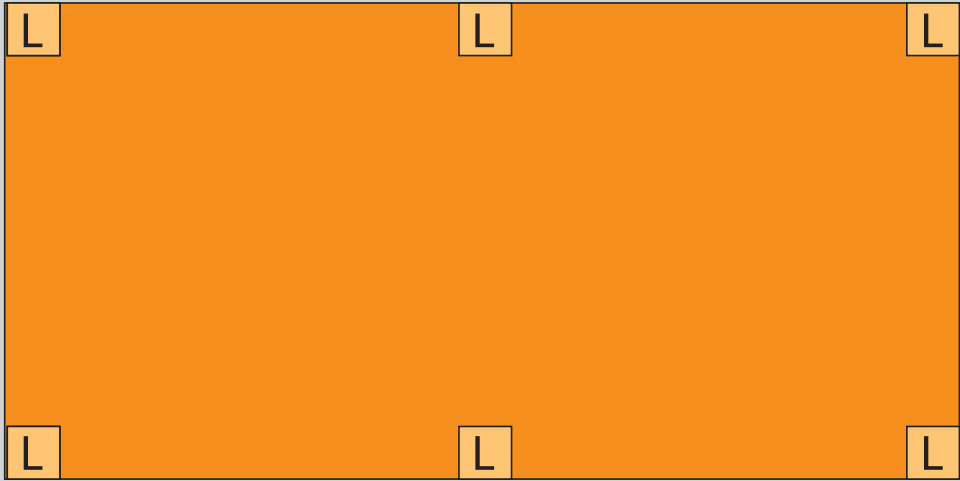


Pictured:  
 Assembled 4'x4' AXIS  
 stage deck with 4 legs.

# STAGE SETUP



All AXIS decks require 4 legs on every deck. This improves stability, and makes it easy for one person to set up a stage. L = Leg



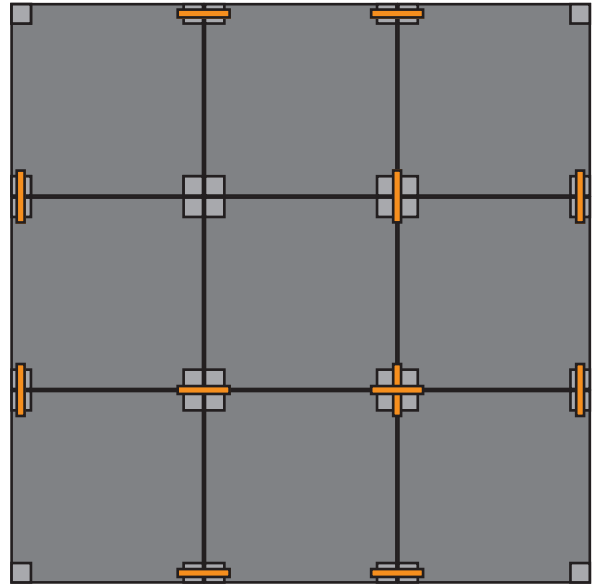
**Please note:** 4' x 8' Decks will require six (6) legs per deck. L = Leg

## STAGE SETUP



### Connector sleeve & bolt

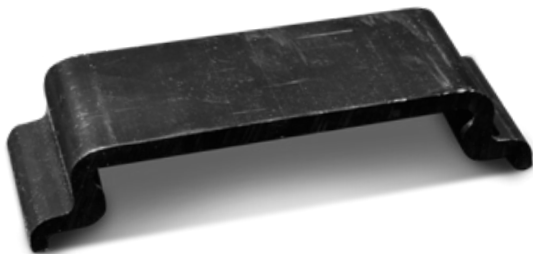
To lock the AXIS decks in place, install a connector sleeve & bolt between any of the perimeter legs that sit next to one another. Secure the bolt with a wing nut.



### Connector sleeve & bolts

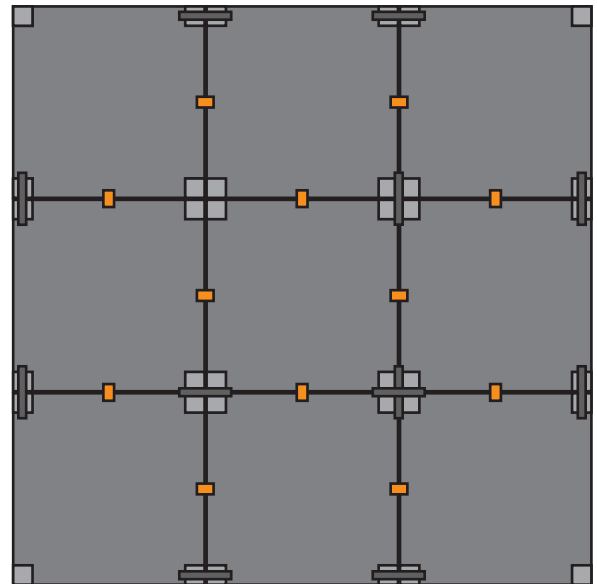
Place a connector sleeve and bolt along each perimeter stage and every other stage in between. Some stages will have two, one in each direction.

— = Connector Sleeve & Bolt



### Connector Clips

Connector clips can also be used. These clips snap into place under the deck, keeping them in place and reducing any movement between decks.



### Connector Clips

Install the connector clips at the center of each deck. This pulls the decks even tighter together, making the stage even more rigid.

■ = Connector Clip

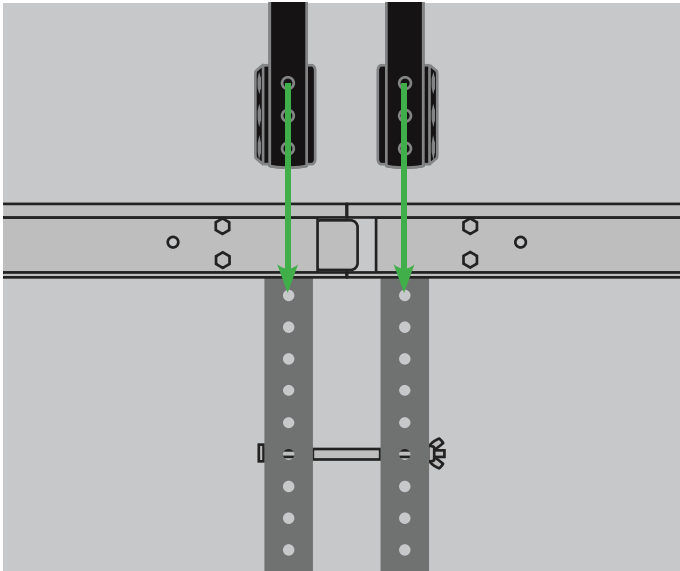
Scan this code to view additional stage setups. Or go online:  
[graniteind.com/downloads](http://graniteind.com/downloads)



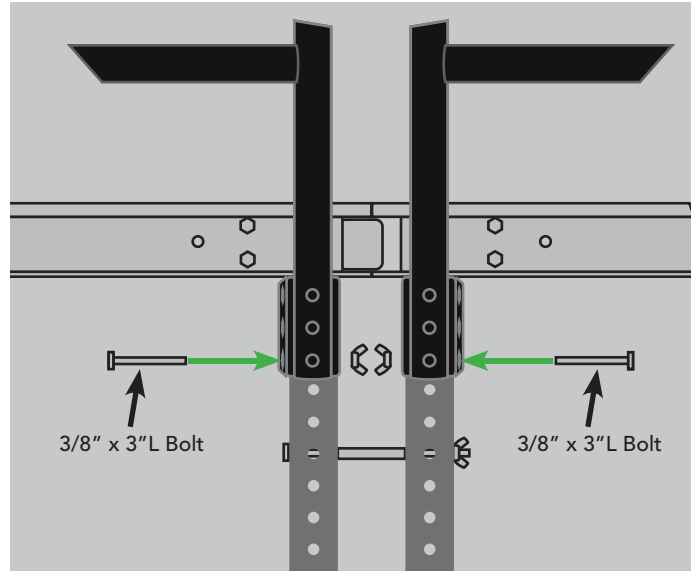
# GUARDRAIL PANEL

Guardrail is optional on decks below 30" in height, but required for anything 30" and above.

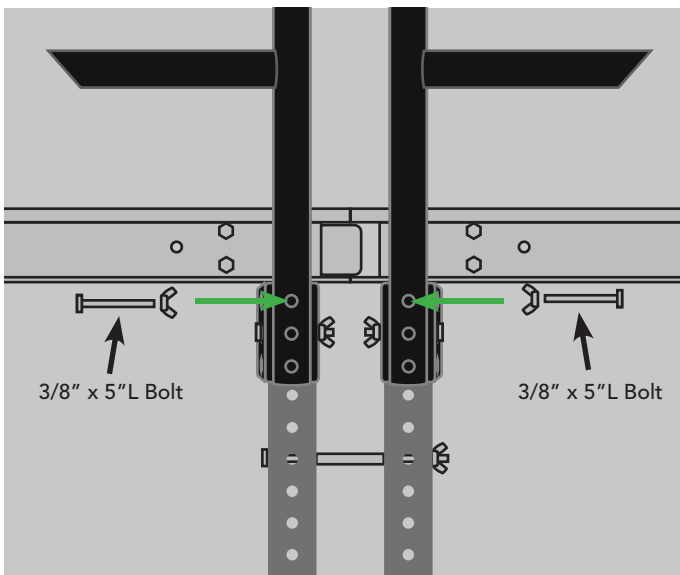
**NOTICE:** Please check your local codes prior to setup as they may differ.



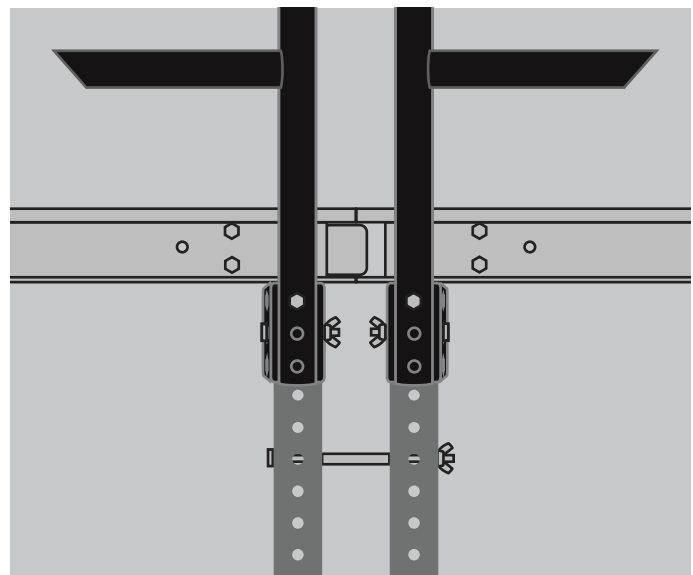
Align the guard rail with the stage deck. Note the diagram above to ensure you line the holes up correctly.



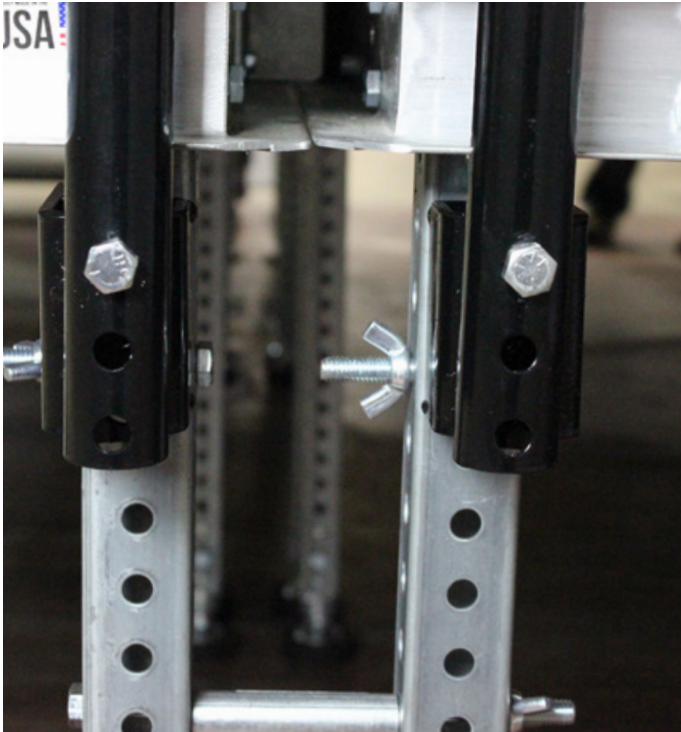
Use a 3/8" x 3" bolt through the legs from side to side.



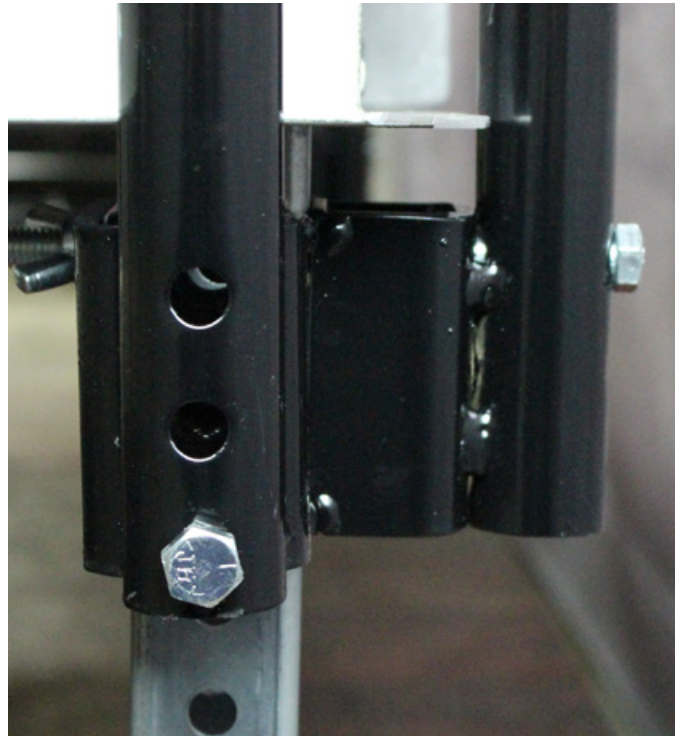
Use a 3/8" x 5" bolt to go through the legs front to back. Drawing of a completed stage guardrail.



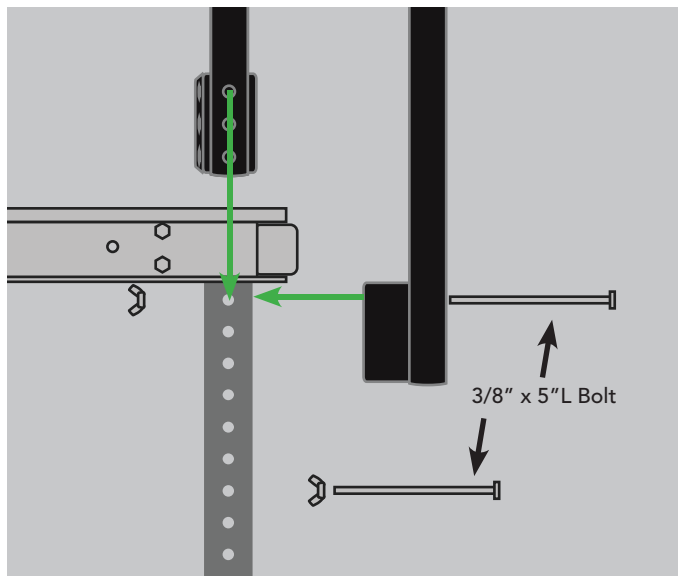
# GUARDRAIL PANEL



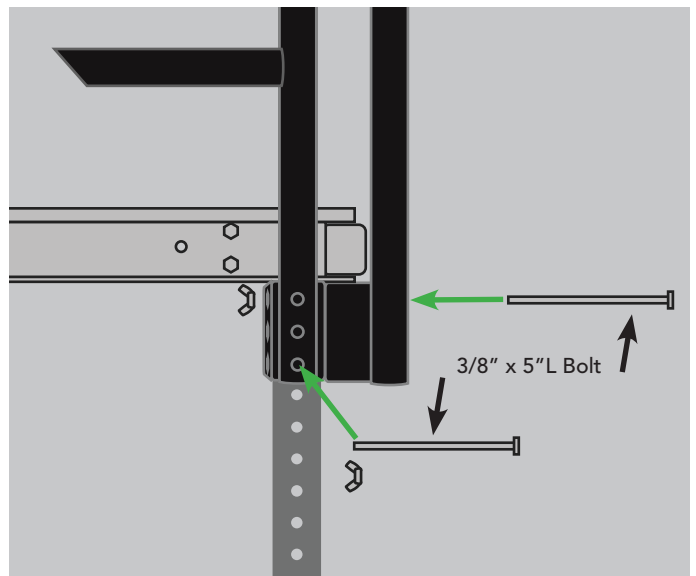
Closeup of guardrail attached to stage decks.



Closeup of guardrail attached to stage corner.



Use a 3/8" x 5" bolt for the top holes and a 3/8" x 5" bolt for the lower holes.



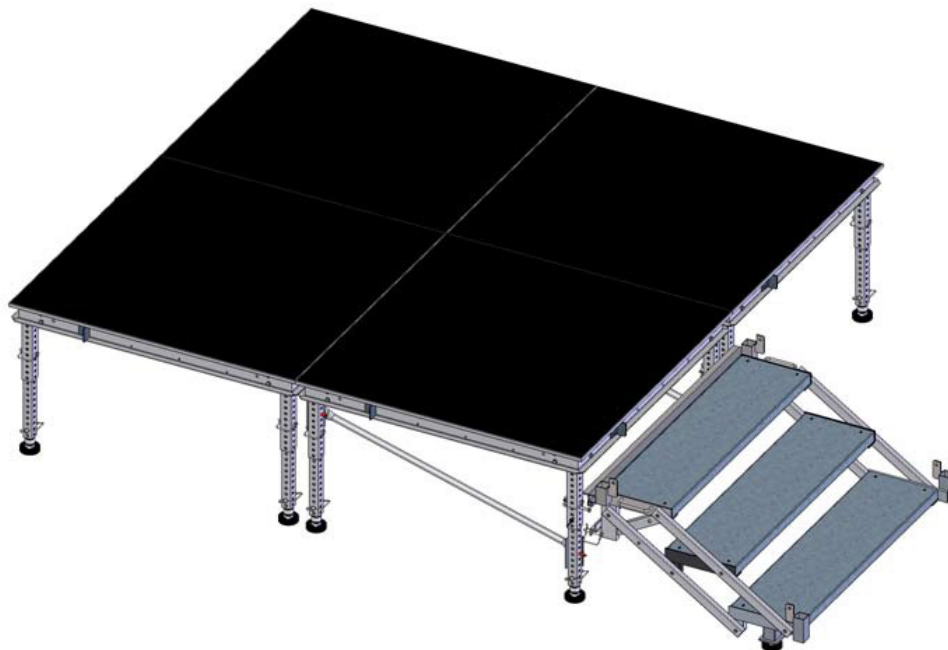
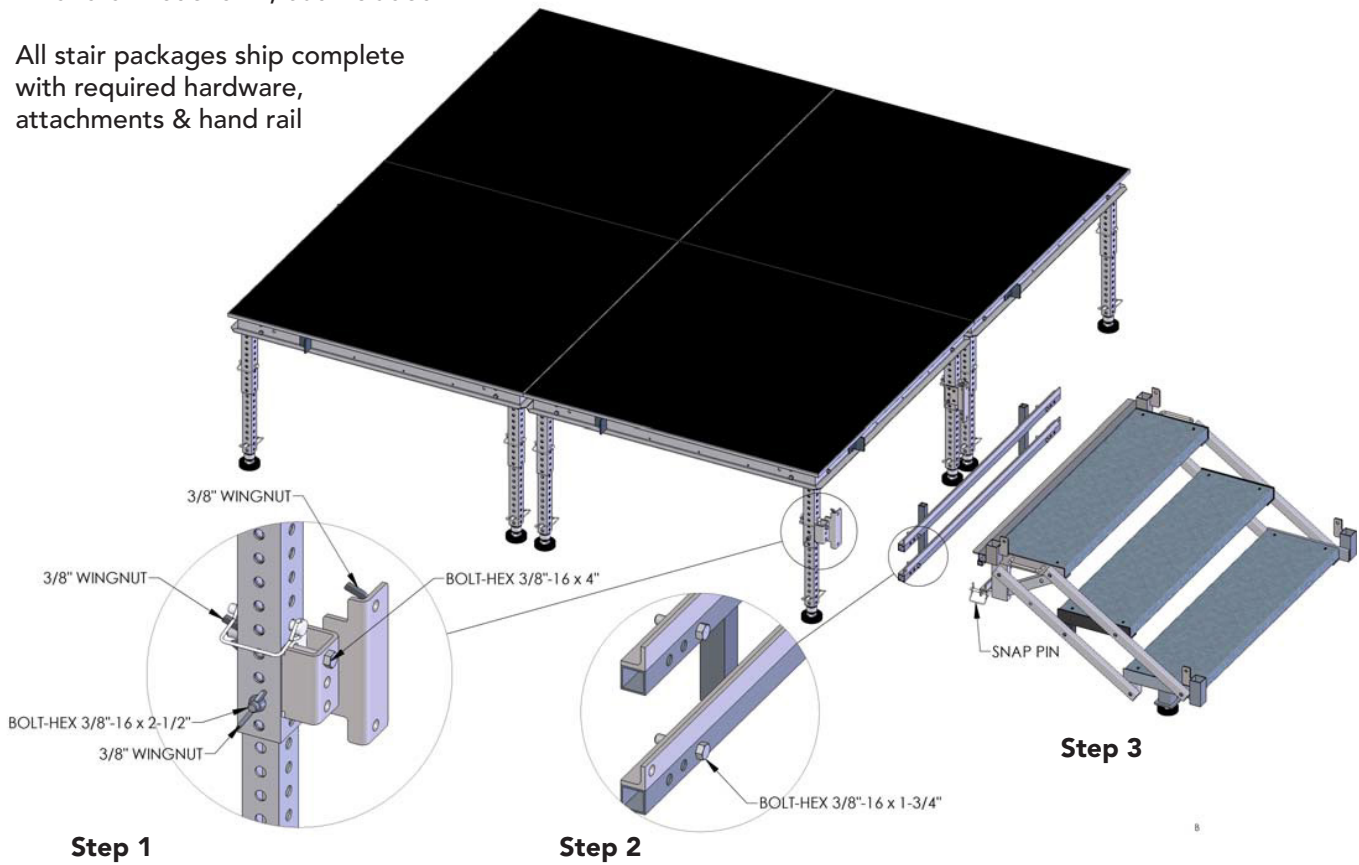
Insert the bolts as shown. Secure in place with the wing nuts.

# STAIR ASSEMBLY

## AXIS 3 Step Stair Package Shown (83080)

\* Handrail not shown, but included

All stair packages ship complete with required hardware, attachments & hand rail





**GRANITE INDUSTRIES**  
595 EAST LUGBILL ROAD  
877-447-2648  
SUPPORT@GRANITEIND.COM